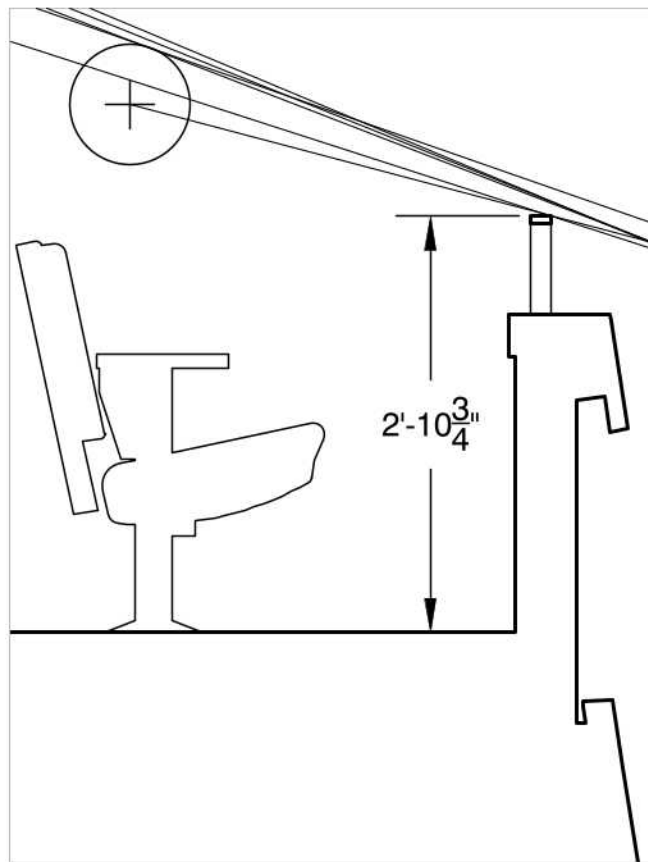




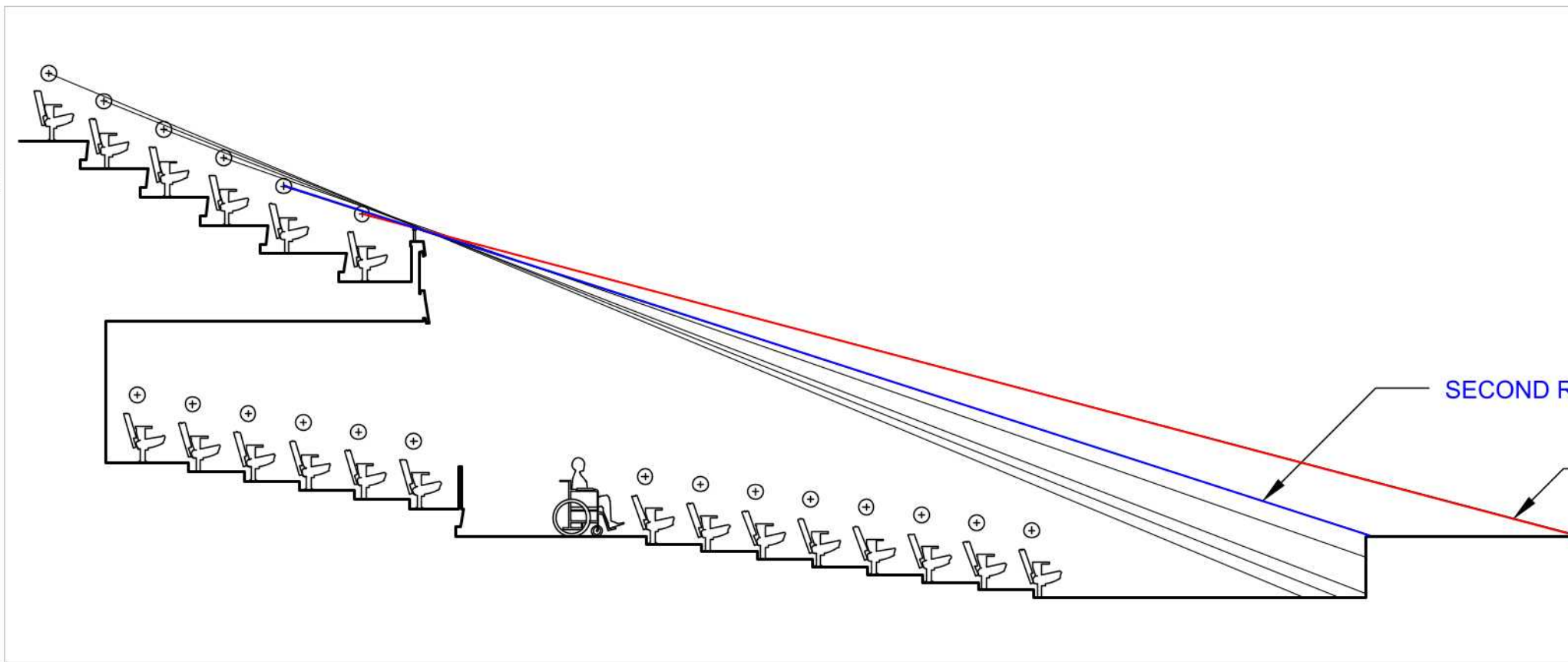




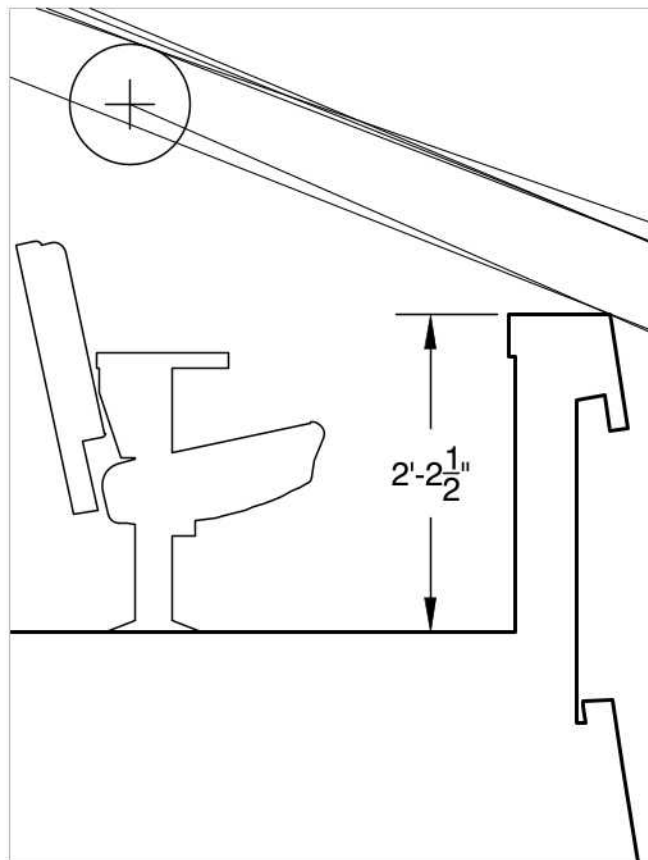
# SIGHTLINES IMPLICATIONS



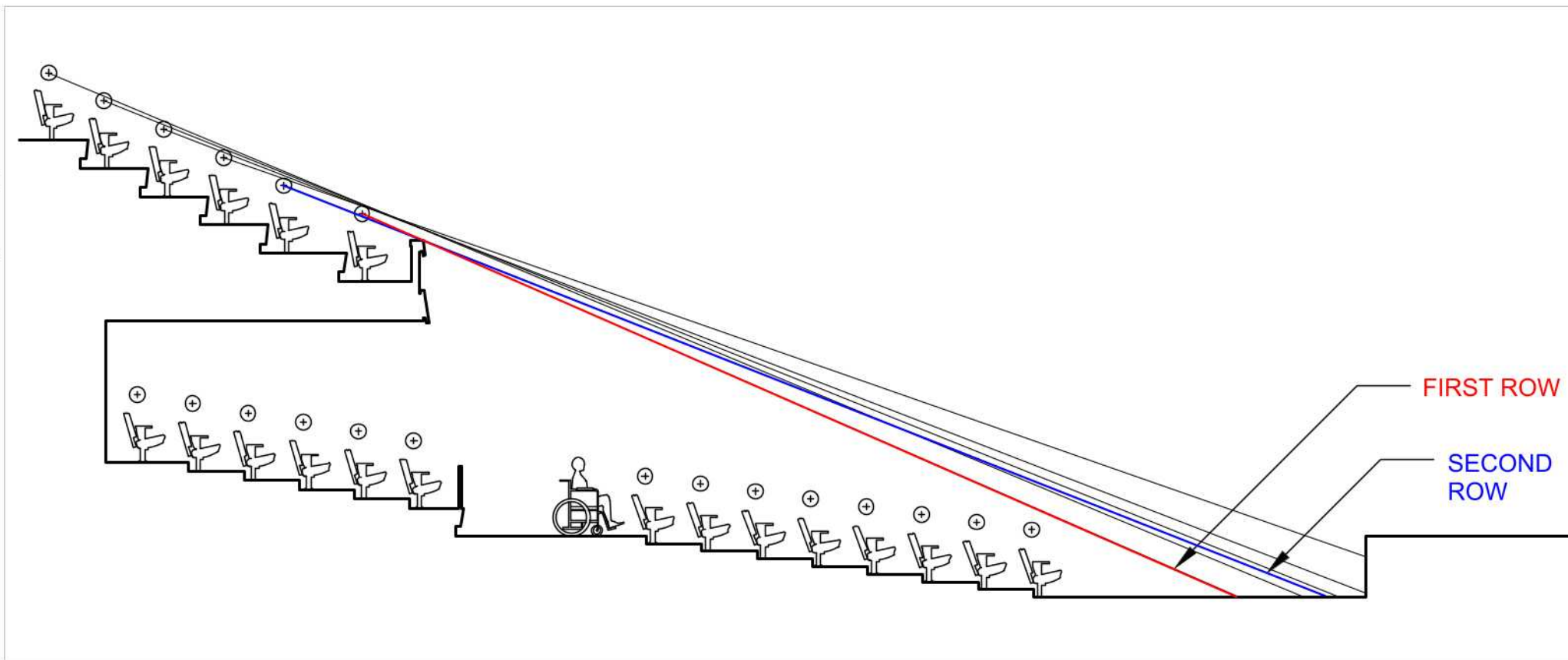
**4** **DETAIL SECTION WITH ADDED RAILING**  
3/4" = 1'-0"



**3** **AUDITORIUM SECTION WITH ADDED RAILING**  
1/8" = 1'-0"



**2** **DETAIL SECTION AS BUILT**  
3/4" = 1'-0"



**1** **AUDITORIUM SECTION AS BUILT**  
1/8" = 1'-0"

**nextstage  
design**  
nextstage-online.com

PROJECT NAME  
BELMONT MHS  
  
PROJECT NUMBER  
17070

DATE  
December 1, 2021

SCALE  
As noted

SHEET TITLE  
Balcony railing

SHEET NUMBER  
CASK-19 REV